



## > MINIJET

Portable and sturdy high-pressure professional washer. Easy-to-use, it was developed to maintain and wash a wide range of equipment, constructions and motorised vehicles. Suitable for daily use, cost-efficient and low-maintenance.

### IDEAL FOR:

- » Agriculture/livestock;
- » Food Industry;
- » Civil construction;
- » Transport.

### EQUIPMENT

This machine has 4 essential parts: chassis, fairing, high-pressure pump and engine.

### CHASSIS

Fully constructed in 3-mm galvanised steel sheet, with electro-galvanising anti-corrosion treatment and a final finish in synthetic enamel paint. The chassis sits on an axle connected to two 180-mm rubber wheels (on the rear of the machine) and on a swivel wheel (on the front) for easy moving.

### FAIRING

The internal parts of the machine are protected by a fibreglass fairing.

### HIGH-PRESSURE PUMP

Piston pump, which delivers a maximum pressure of 150 bar and a flow rate of 15l/min.

### MOTOR

Three-phase (ventilated) with the IM 1001 constructive form, directly coupled to the motor shaft of the pump.

## ✓ TECHNICAL SPECIFICATIONS

| PERFORMANCE                      |          | WATER SUPPLY SPECIFICATIONS     |          |
|----------------------------------|----------|---------------------------------|----------|
| Maximum pressure                 | 150 bar  | Inner diameter of the feed hose | 16mm     |
| Operating pressure (recommended) | 140 bar  | Minimum flow rate               | 20 l/min |
| Maximum flow rate                | 15 l/min | Maximum temperature             | 60°C     |
| Weight                           | 60 Kg    | Maximum pressure                | 4 bar    |
| Detergent tank                   | 5 Litres | Minimum pressure                | 2 bar    |

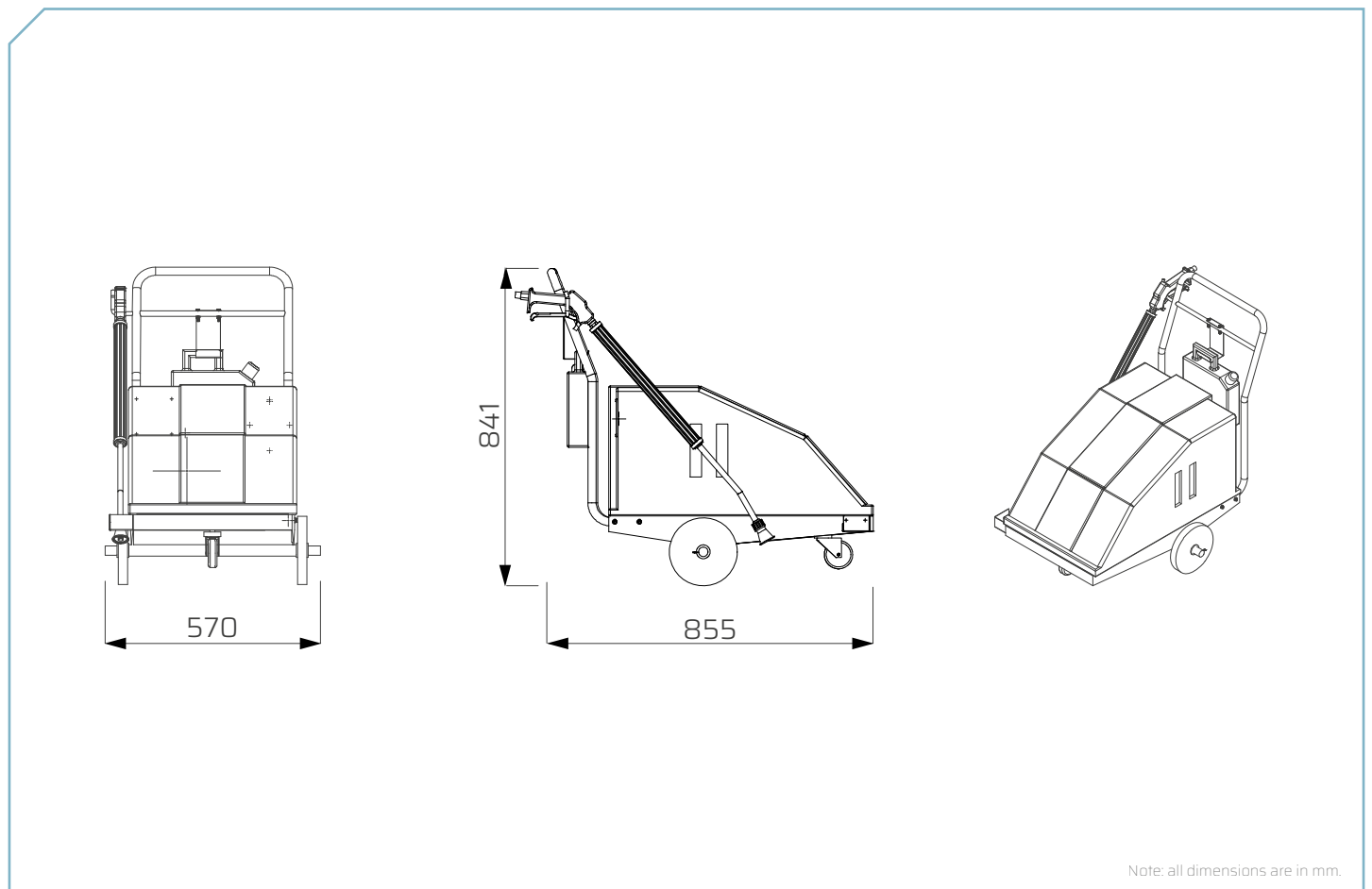
  

| ELECTRICAL FEATURES |                     | ENVIRONMENTAL SERVICE FEATURES           |           |
|---------------------|---------------------|--|-----------|
| Supply voltage      | 380/415 V           | Operating temperature                    | 5 to 60°C |
| Frequency           | 50/60Hz             | Relative humidity (without condensation) | 5 to 95%  |
| Rated current       | 9 A                 |  |           |
| Maximum current     | 15.6 A (at startup) |  |           |
| Rated speed         | 1400 rpm            |  |           |
| Rated power         | 4 kw (5.5 HP)       |  |           |

| HOSE BOOM AND BOLT   |  |
|--|--|
| The hose is 6m in length and the launchpoint is a Zureg-type, with two position options, one for low-pressure active foam and another for high-pressure washing. |  |

## ✓ TECHNICAL DRAWINGS



MOD.LMINIET 02\_2019

© 2019 Petrotec Group | All rights reserved. Petrotec, the Petrotec logo, Progress and combinations thereof are registered trademarks of Petrotec Group. Other names are informational and may be trademarks of their respective owners. Petrotec is continuously improving its products. Changes on the specifications may occur without prior notice. The imagery used may be indicative of style only. The available brochures are a guide and do not constitute an offer or contract.

