



# DISPENSING SOLUTIONS > PROGRESS 3000

## ✓ TECHNICAL SPECIFICATIONS

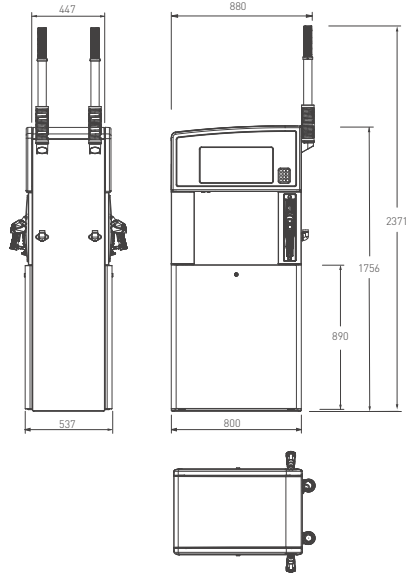
MAIN FEATURES	
Construction	Frame: Galvanised Steel; Double Coated Painting
	Housing: Stainless Steel
	Panels: Aluminium; Double Coated Painting
Admission	Suction: High Performance Compact Gear Pump RTF Pressure: Submersible Pump
Meter	Positive Displacement Meter PTF, with Pulse Generator and Integrated Electronic Calibration
Filters	Reusable Stainless Steel, 100 µm mesh
Motor	Eexd, Single/ Three-Phase, 50/60 Hz w/ Internal Thermal Protection
Calculator	eMC <sup>2</sup> Electronic Modular Calculator, 2nd Generation
Hose	Ø16, 19, 21, 25 mm (EN1360/EN13483) (VR2 Approved)
Nozzle	Automatic ZVA2 or Others
Fuel Types	Petrol   Diesel   Biodiesel   Ethanol (E85) (1)   AdBlue wo/heating (1)
Flow Rates	10, 40, 80, 130 L/min   Up to 2 Products/4 Hoses
Certificates	ATEX; MID
(1) Only available with pressure version.	

OPTIONS		
- Speed Selector (40/80 L/min)	- Vapour Recovery Stage II	- Custom Nozzles and Sleeves
- Voice Module	- Vapour Recovery w/Monitoring	- Flexible Riser Connection
- Electro-mechanical Totalizers	- Automatic Temperature Compensation	- Stainless Steel AISI304 Image Panel
- Volume Preset	- Single/ Three-Phase Motor	- Stainless Steel AISI316 Housing
- Amount Preset	- Low Temperature Kit	- Foundation Frame
- Circuit Breaker	- Satellite Ready (1 per side)	- Custom Corporate Image
- Electronics Head Heating	- Breakaway Couplings	- TAGs

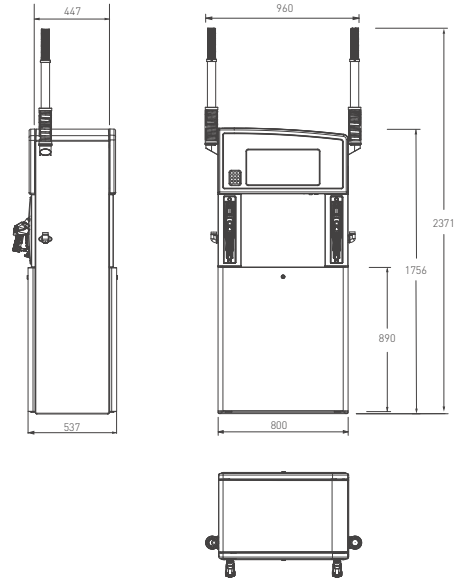
COMMUNICATION PROTOCOLS/INTERFACES		
- Petrotec	- IFSF IP	- HDX 2WI (Gilbarco)
- EP55	- IFSF Lon v1.xx (Converter)	- DART
- Pulse Interface	- IFSF Lon v2.xx	- Dunclare
- ER3	- HDX 485 (Gilbarco)	- Pumalan

# ✓ AVAILABLE CONFIGURATIONS

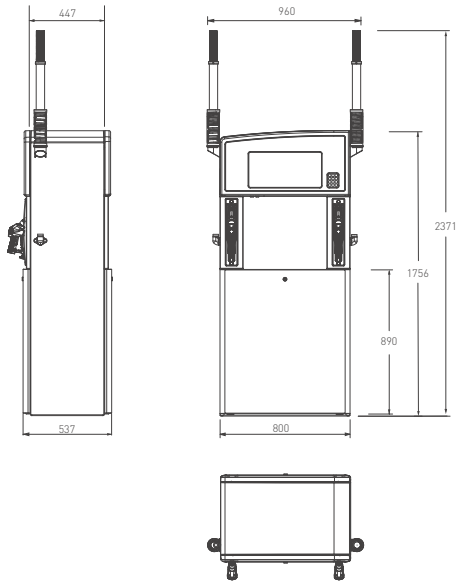
P3000 - 1P2H



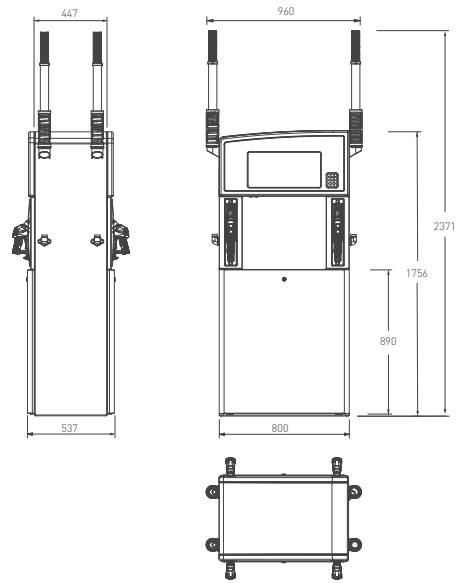
P3000 - 2P2H - SIDE B



P3000 - 2P2H



P3000 - 2P4H



Note: All dimensions are in mm.

MOD\_IBPROGRESS3000\_07\_2020

© 2020 Petrotec Group | All rights reserved. Petrotec, the Petrotec logo, Progress and combinations thereof are registered trademarks of Petrotec Group. Other names are informational and may be trademarks of their respective owners. Petrotec is continuously improving its products. Changes on the specifications may occur without prior notice. The imagery used may be indicative of style only. The available brochures are a guide and do not constitute an offer or contract.



**Petrotec**

www.petrotec.com